



*Mortuary Refrigerated Chambers*



## Operation

The Labaire range of mortuary storage chambers are designed to optimize floor space while maximizing hygienic body handling. Cross contamination and decomposition risks are reduced while forensic security is enhanced. The body reception area has a door into the chamber with a door on the opposite end into the autopsy suite. To ensure strict Health standards a barrier is maintained between the reception and autopsy area.

## Applications

Cabinets are available in various combinations with single or multiple door configuration fitted individually per chamber or as one for the cabinet. Available in stainless steel and PVC bonded sheeting, the chambers maybe supplied in various combinations, as chiller or freezer cabinets and normal or obese sizes. The width of the body tray must be taken into consideration. If new trays are being ordered they must be specified. The type of system OR standard must be specified. The double door unit (separate door in and out) is usually installed when the layout of the area is designed with the reception area adjacent to the autopsy area. The accompanying hydraulic stackers to load and unload the body trays are usually then located in both areas.

## Design Features

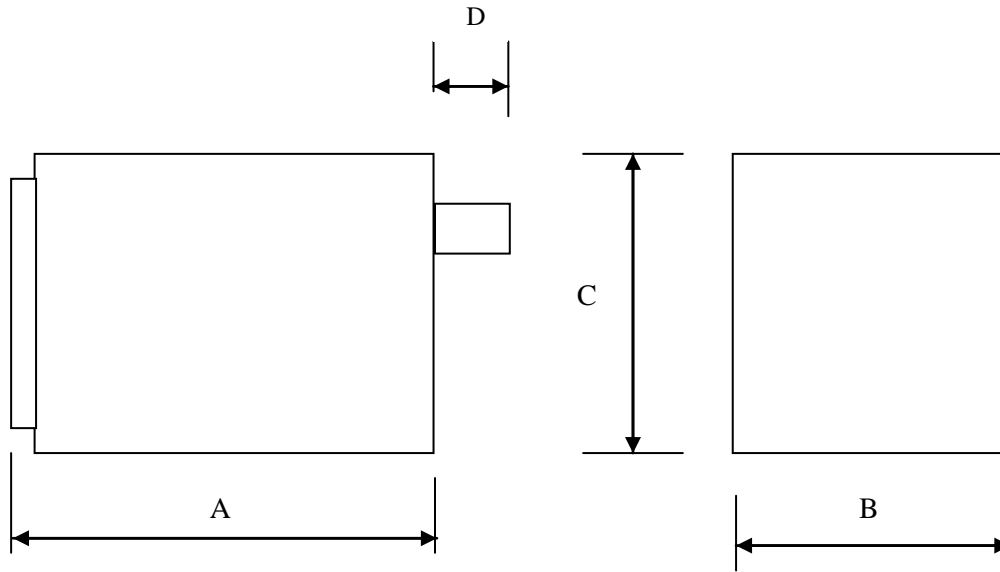
The robust reinforced cabinet construction WITH NO WOOD ensures a durable chamber that houses the rollers and body trays. No fixed racking system is required. The easy removal of rollers and trays for cleaning provides an hygienic chamber. The design of the tray rollers and supports is flexible and therefore allows for loading and storage of all bodies. Each chamber has a stainless steel floor with drain point. The '**RAPID TRANSFER SYSTEM**' is designed for minimal handling of the body. The body tray is loaded into the chamber and removed from the other end via an hydraulic stacker. The tray may then be loacted into the autopsy table or onto a docking trolley. Roof mounted refrigerated plant for rapid transfer systems and rear mounted for single door access cabinets.



Cabinet Specification						
Options:	Commercial Range (M)			Economy Range (E)		
Chiller or Freezer	(MC) or (MF)			(EC)		
External Cladding						
Front and Doors	Stainless Steel (S)		PVC bonded sheet (P)			
Rest of cabinet	Stainless Steel (ES)		PVC bonded sheet (EP)			
Internal Cladding	Stainless Steel (IS)		PVC bonded sheet (IP)			
Insulation	Polystyrene 100mm					
Doors	Single per chamber					
Model	L3MC	L6MC	L3MF	L3EC	L4EC	L6EC
Number of trays	3	6	3	3	4	6
Number of doors	3	6	3	1	2	2
Mass (kg)	375	620	375	375	420	620



Refrigerated Body Cabinets



### External Dimensions (mm)

Model	L3MC	L6MC	L3MF	L3EC	L4EC	L6EC
A (length)	2665	2815	2665	2615	2765	2765
B (width)	820	1520	820	770	1470	1470
C (height)	1930	1930	1930	1880	1360	1930
D (refrigeration)	500	500	500	500	500	500

### Refrigeration Plants

Description	L3MC/EC	L6MC/EC	L4EC	L3MF
Temperature	plus one degree C			-12 degree C
Cooling capacity (watts)	850	1500	1400	1140
Refrigerant type	R22 or 134a on request			or R404a on request
Rated voltage	220-240/1/50Hz			
Condensing Unit	Hermetic (one each)			
Compressor size (h/p)	1/2	7/8	5/8	1 1/8
Compressor Speed (rpm)	2800			
No. of evaporators	1	1	1	1
No. of evaporator fans	1	2	1	1
Thermostat	mechanical			
Mass	85	130	85	120

## Accessories

- Custom designed cabinets and chambers
- Electronic thermostat
- Cold rooms
- Body tray
- Lighting
- BMS interface



### ***Labaire***

129 5<sup>th</sup> Street, Wynberg, Sandton  
Gauteng, South Africa

**Web page:** [www.labaire.co.za](http://www.labaire.co.za)

**Email:** [sales@labaire.co.za](mailto:sales@labaire.co.za)

**Phone:** 27 11 786 2323

**Cell:** 27 79 397 9038

Distributed by: