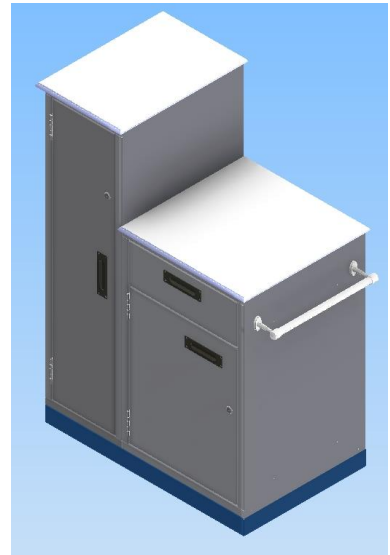
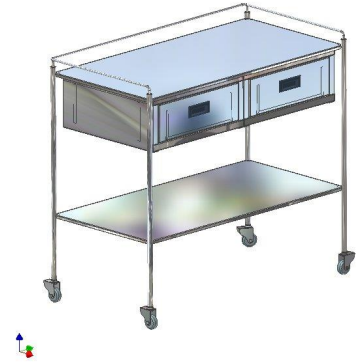


## Hospital Furniture



## ICU Bed End Cabinet

The intensive care unit bed end locker is available in various configurations and colour finishes. Standard features include:

- Angled writing pad
- Open shelf
- Four-drawer unit
- One lockable drawer
- One cupboard with one shelf
- Spillage tray drawer unit
- Castors

Model	LTR1250-ICU	Description
Width (mm)		860
Depth (mm)		430
Height (mm)		1250
Castors (mm)		75 diameter
Worktop		Solid Laminate
Mass (kg)		80

Please refer to our colour chart when ordering.



## Double Bedside Locker

This cabinet, complete with hanging cupboard, drawer, and cupboard with shelf and towel rack is positioned on castors. The worktop is a solid laminate coloured to suite the client, as is the unit.

Model	L74DBL	Description
Width (mm)		860
Depth (mm)		430
Height (mm)		1250
Castors (mm)		75 diameter
Worktop		Solid Laminate
Mass (kg)		60

Please specify left or right side opening.

Please refer to our colour chart when ordering.



## Single Bedside Locker

This cabinet drawer, and cupboard with shelf and towel rack is positioned on castors. The worktop is a solid laminate coloured to suite the client, as is the unit.

Model	L44SBL	Description
Width (mm)		430
Depth (mm)		430
Height (mm)		750
Castors (mm)		40 diameter
Worktop		Solid Laminate
Mass (kg)		40

Please specify left or right side opening.

Please refer to our colour chart when ordering.



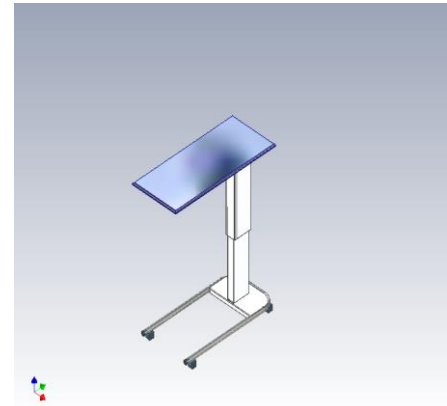
## Over Bed & Chair Table

This table raises and lowers to suite the application and is moved over the bed or chair by way of castors. The height is then adjusted to suite. The worktop is a solid laminate coloured to suite the client, and maybe hinged for reading or writing purposes.

Model LOBT LOCT	Description
Width (mm)	890
Depth (mm)	400
Height (mm)	7755 to 1100
Castors (mm)	40 diameter
Worktop	Solid Laminate
Working Load (kg)	25
Mass (kg)	20

Please refer to our colour chart when ordering.

**Note:** Table can be supplied in semi-knockdown form.



## Dressing Trolley

The dressing trolley on castors, with stainless steel work surface, perimeter rail and under shelf and two drawers, maybe all stainless steel or with drawers and frame of painted mild steel.

Model LTR915-DTD	Description
Width (mm)	915
Depth (mm)	460
Height (mm)	820
Castors (mm)	40 diameter
Worktop	Stainless steel grade 304
Working Load (kg)	50
Mass (kg)	25

Please refer to our colour chart when ordering.

**Note:** Trolley can be supplied in knockdown form.

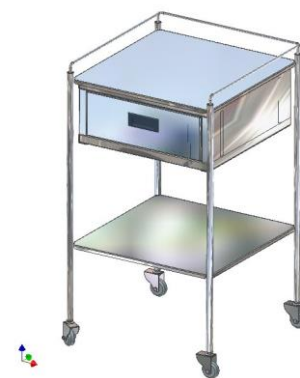


## Anaesthetic Trolley

The anaesthetic trolley is on castors, with stainless steel work surface, perimeter rail and under shelf and one drawer. It maybe all stainless steel or with drawers and frame of painted mild steel.

Model LTR610-DTD	Description
Width (mm)	460
Depth (mm)	460
Height (mm)	820
Castors (mm)	40 diameter
Worktop	Stainless steel grade 304
Working Load (kg)	50
Mass (kg)	18

**Note:** Trolley can be supplied in knockdown form.



## Dressing Trolley

The dressing trolley is on castors, with stainless steel work surface, perimeter rail and under shelf. It is manufactured from stainless steel grade 304.

Model LTR915-DT LTR610-DT LTR460-DT	Description
Width (mm)	915, 610 & 460
Depth (mm)	460
Height (mm)	820
Castors (mm)	40 diameter
Worktop	Stainless steel grade 304
Working Load (kg)	50
Mass (kg)	23, 18, 13



Note: Trolley can be supplied in knockdown form.

## Instrument Trolley

The instrument trolley is on castors with surface and under shelf. It is manufactured from stainless steel grade 304.

Model LTR915-IT LTR610-IT LTR460-IT	Description
Width (mm)	915, 610, & 460
Depth (mm)	460
Height (mm)	820
Castors (mm)	40 diameter
Worktop	Stainless steel grade 304
Working Load (kg)	50
Mass (kg)	24, 19, 14



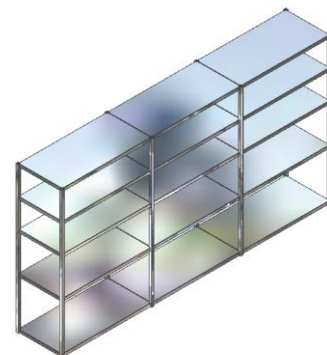
Note: Trolley can be supplied in knockdown form.

There are many other trolleys however we have not included them in this brochure. Please contact us if you require any other type of trolley.

## Shelving

The stainless steel shelving is supplied in various configurations and with a perforated and solid shelf.

Model LS43-SS LS43-PS LS44-SS RS44-PS	Description
Width (mm)	2755
Depth (mm)	475
Height (mm)	1500
Worktop	Stainless steel grade 304
Working Load (kg)	75 per shelf
Mass (kg)	TBA



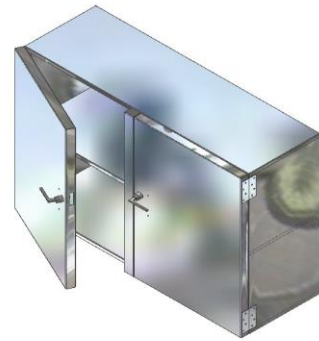
Hospital Furniture

## Wall & Floor Mounted Cupboards

The stainless steel mounted cupboards have key or square key lockable doors. The hinges and the locks are stainless steel. Cupboards are sized to suite customer requirements although we do have a standard range.

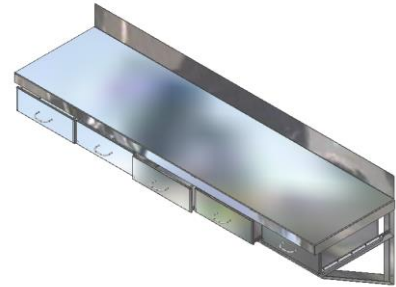
<b>L4D1S300 L4D1S600</b>	<b>Description</b>
<b>Width (mm)</b>	1775
<b>Depth (mm)</b>	300/600
<b>Height (mm)</b>	600
<b>Mass (kg)</b>	55

Cupboards and cabinets with glass doors also available.



## Counter Tops with & without Drawers, Services and other features.

Labaire manufacture a range of counter top with drawers, splash back guard, sinks, lighting, electrical plug points, gas and other dry services etc. The size and configuration of these must be determined by the customer.



### ***Labaire***

57B Mount Street, Bryanston,  
Gauteng, RSA

Email: [sales@labaire.co.za](mailto:sales@labaire.co.za)